

INSTALLATION DIMENSIONS

3745/2045

MODEL REV.	A	B	C	D	E	G	H	M	T	U	S	BF	BG	BH	BK
3745-2-3-4	15 ³ / ₄	15 B.C. 1 ³ / ₂ DIA.-12 HOLES	14.250	1 ⁵ / ₁₆	1 ³ / ₁₆	6	7 ³ / ₄	6 ¹ / ₂	20 ¹ / ₄	9 ¹ / ₂	16	9 ²⁷ / ₃₂			24
3745-10						3 ³ / ₃₂	5 ²³ / ₃₂	6 ¹ / ₂	20 ¹ / ₄	9 ¹ / ₂	16	7 ¹³ / ₁₆			24

MODEL REV.	AU	AV	AW	AX
3745-10	9 ⁹ / ₃₂	4 ³ / ₄	5 ³ / ₄	3.000

MODEL REV.	J	K	L	N	O	P	R	AB	AJ	AR		AT	BD	BE	BJ	BL	FA
										MIN.	MAX.						
2045-0	3.000	1 ⁴ / ₃	5 ³ / ₄	16 ¹ / ₂			7 ¹³ / ₁₆		3 ³ / ₁₆	1	2	3 ¹ / ₄					
2045-00-1-3-5	3.000	1 ⁴ / ₃	5 ³ / ₄	20	4.500	8 ⁵ / ₈	8 ³ / ₄	8 ¹⁷ / ₃₂	3 ³ / ₁₆	1	2	3 ¹ / ₄					
2045-6-7	3.000	1 ⁴ / ₃	5 ³ / ₄	20	6.000	11 ⁵ / ₈	11 ⁷ / ₁₆	8 ¹⁷ / ₃₂	3 ³ / ₁₆	1	2	3 ¹ / ₄					
2045-8-9-10	3.750	*6	7 ¹ / ₄	22 1 ⁵ / ₃₂	8.571	17	16 1 ¹ / ₃₂	11	4 ¹ / ₂	1	3	4 ¹ / ₂	6 1 ³ / ₁₆	4 ⁵ / ₁₆			

† 3³/₆₄ dia. 6 holes * 4¹/₆₄ dia. 6 holes

ENGINE ADAPTATION

MODEL REV.	FLYWHEEL HOUSING	ADAPTER	DRIVE
3745-2	S.A.E. No. 1	31-3743	26R-3744
3745-3	S.A.E. No. 3	31-3744	26R-3744
3745-4	S.A.E. No. 2	31-3745	26R-3744
3745-10		31-3747 FRONT CLOSURE	

Oil capacity approximate, will vary with the installation. Approximate weight - parts 26R and 31 vary in weight. For Idler Pinion Type add 20 lbs.

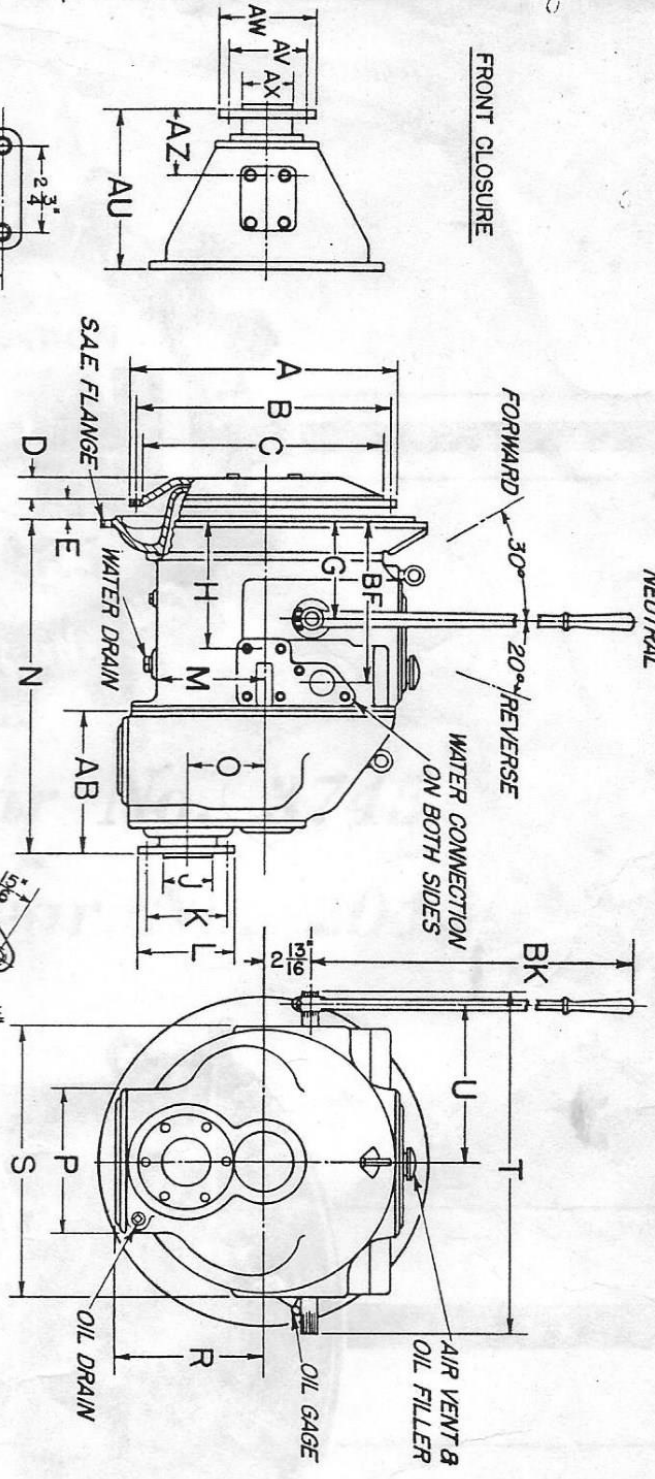
MODEL REV.	RATIO	Oil Capacity	Weight	MODEL REV.	RATIO	Oil Capacity	Weight
2045-0	1:1	4 Qts.	380 lbs.	2045-6	2.5:1	6 Qts.	470 lbs.
2045-00	1:1	5 Qts.	450 lbs.	2045-7	3:1	6 Qts.	470 lbs.
2045-1	1.5:1	5 Qts.	450 lbs.	2045-8	4:1	7 Qts.	590 lbs.
2045-3	1.75:1	5 Qts.	450 lbs.	2045-9	4.44:1	7 Qts.	590 lbs.
2045-5	2:1	5 Qts.	450 lbs.	2045-10	4.72:1	7 Qts.	590 lbs.

REVERSE & REDUCTION GEAR (RATIO 1:1 through 2:1)

SIDE VIEW

NEUTRAL

END VIEW



REDUCTION GEAR (RATIO 2.5:1-3:1)

REDUCTION GEAR (RATIO 4:1 through 4.72:1)

