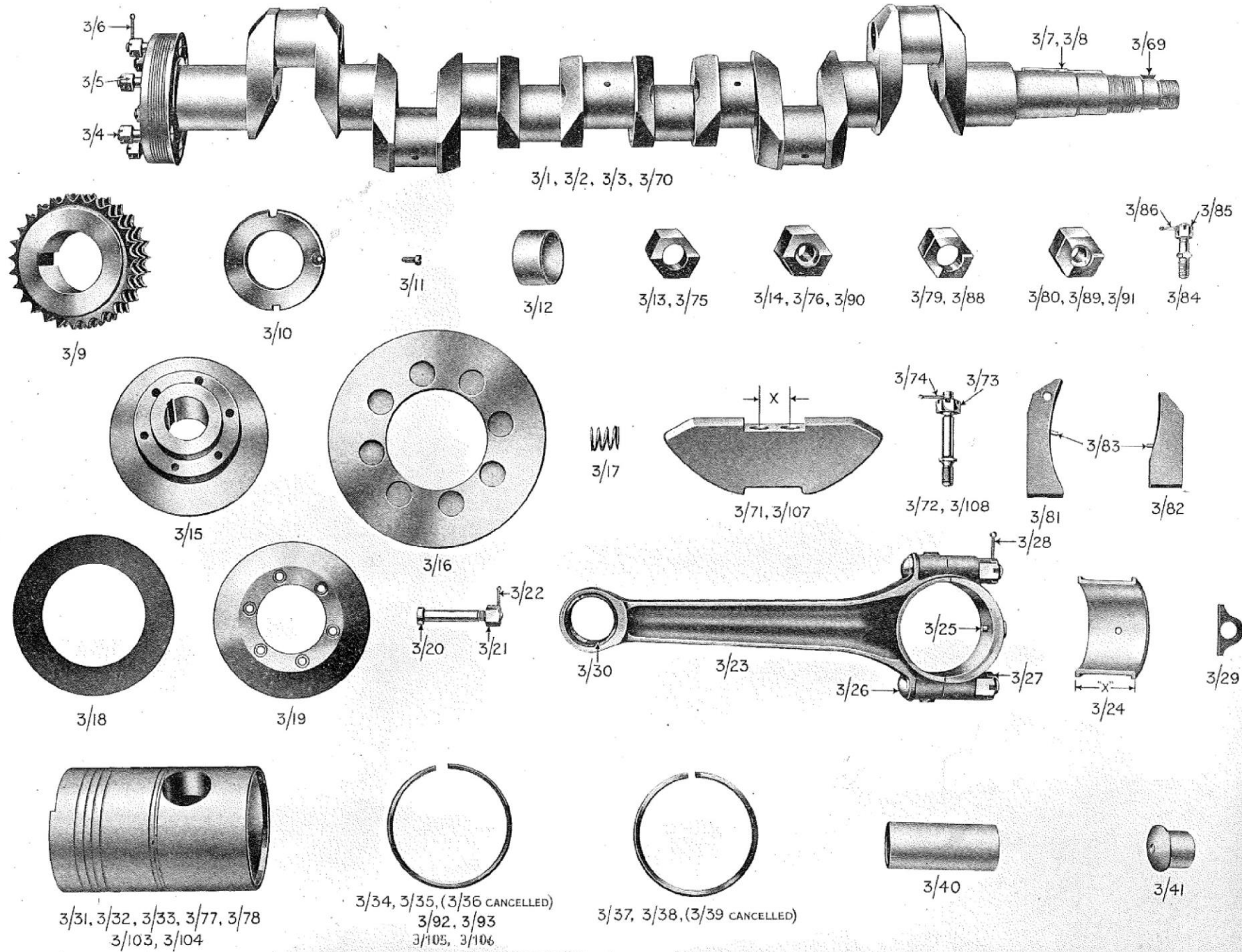
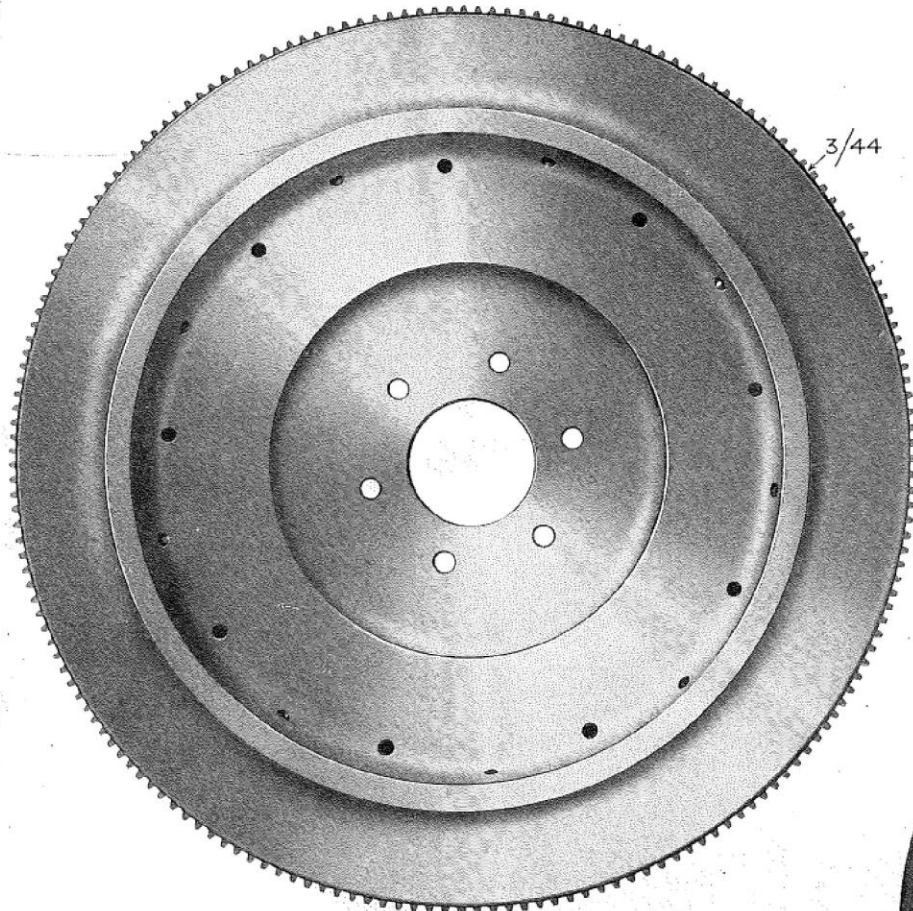


GARDNER

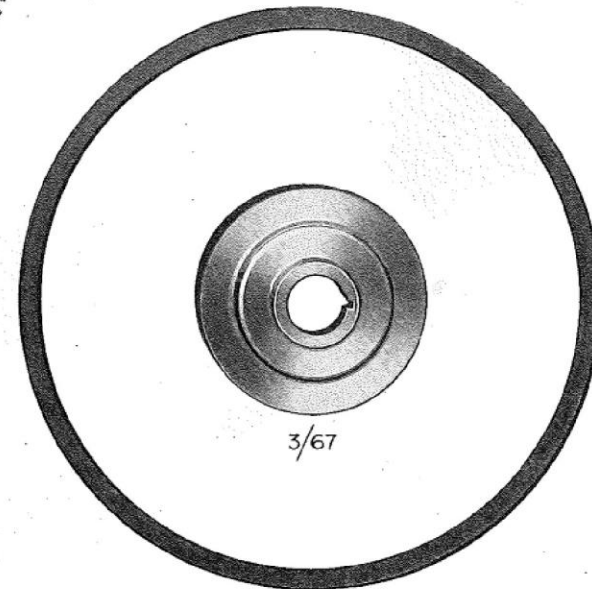
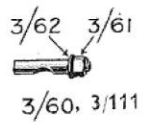
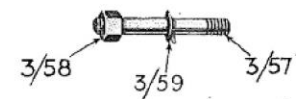
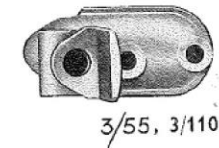
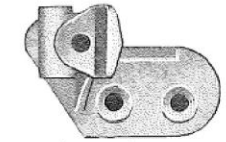
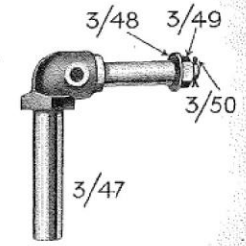
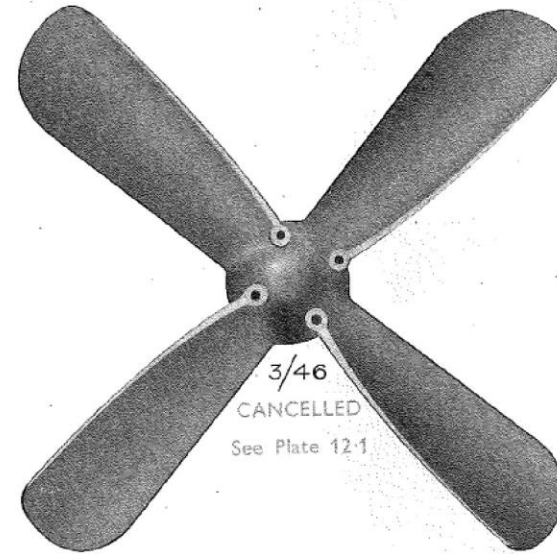
CRANKSHAFT, DAMPER, CONNECTING ROD AND PISTON—Section 3—Plate 11



FLYWHEEL AND FAN—Section 3—Plate 12



3/42, 3/43

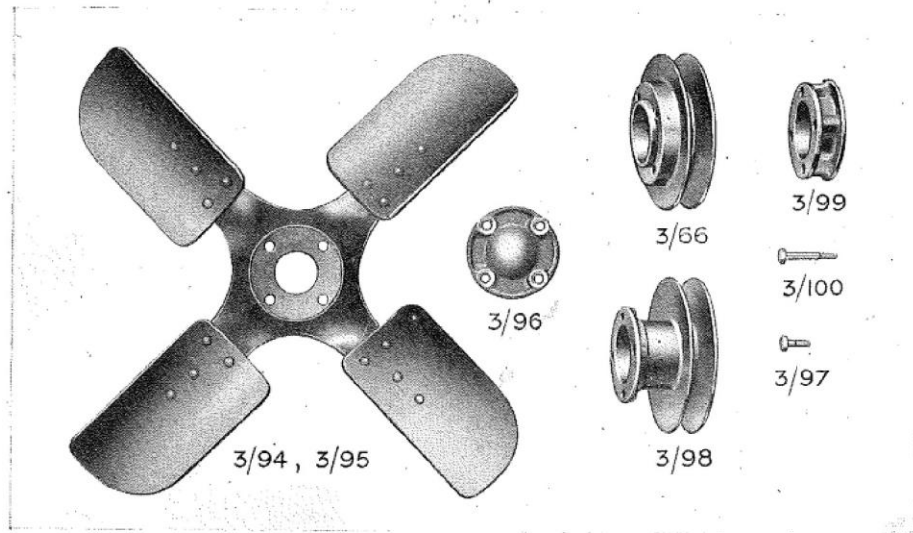


3/68, 3/87

For List see Pages Nos. 44 to 46

GARDNER

FLYWHEEL AND FAN—Section 3—Plate 12.1



For List see Pages 44 and 45