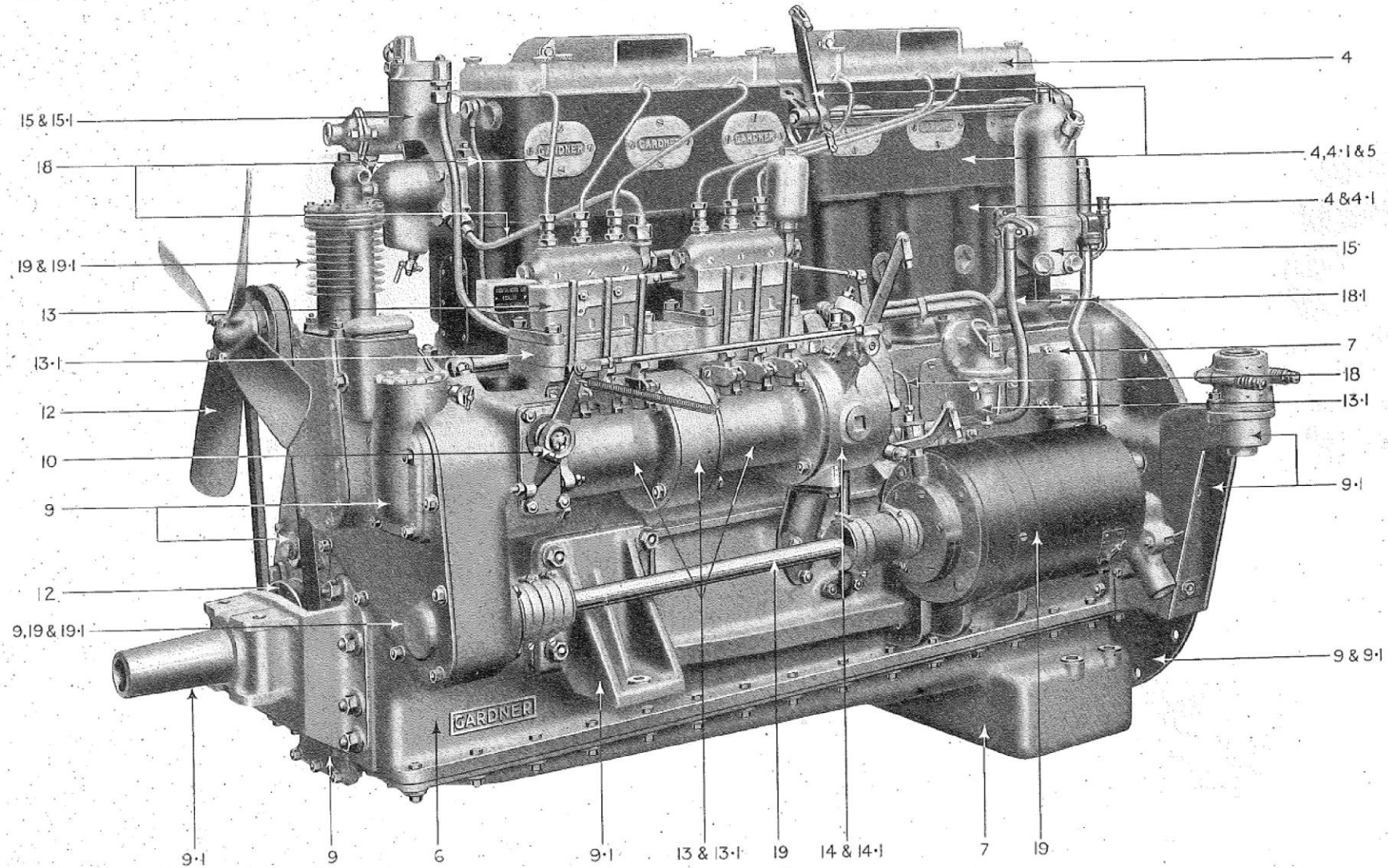


INDEX TO PLATES

Plate No.	Description	Plate No.	Description
1	Engine—Near Side	13 & 13·1	Fuel Pump, Fuel Pump Motion Work and Fuel Lift Pump
2	Engine—Off Side	14 & 14·1	Governor
3	Engine—Cross Section	15 & 15·1	Lubricating Oil Pump, Lubricating Oil and Fuel Strainers
4 & 4·1	Cylinder Block, Head, Head Cover and Air Filter	16	Water Pump and Drive
4·2	Air Filter Adapters—Alternative Types	16·1	Water Pump Covers—Alternative Types
5	Cylinder Head Details	17	Air Inlet and Exhaust Manifolds, Water Pipes and Thermostat Details
6	Crankcase	17·1	Exhaust Manifolds—Alternative Types
7	Crankcase Details and Lubricating Oil Sump	17·2 & 17·2A	Automatic Temperature Control Pipes—Alternative Types
7·1 & 7·2	Lubricating Oil Sumps—Alternative Types	17·3	Water Outlet Connections—Alternative Types
7·3, 7·4 & 7·5	Lubricating Oil Sump Gauzes	18	Fuel and Valve Lever Lubricating Oil Pipes
8	Disposition of Main Bearings and Caps	18·1	Lubricating Oil Pipes
9	Crankcase Details, Plain End Plate, Chain Drive, Oil Filler and Oil Level Dip Rod	19, 19·1A & 19·1	Exhaust Silencer, Exhauster, Electric Starter and Dynamo
9·1	Crankcase Flanged End Plate, Supporting Feet and Starting Handle Details	19·2	Dynamo Driving Shafts
10	Valve Motion Work and Injection Control	19·3	Dynamo Flexible Coupling Bosses
11	Crankshaft, Damper, Connecting Rod and Piston	19·4	Dynamo Flexible Coupling Nuts
12 & 12·1	Flywheel and Fan	19·5	Dynamo and Electric Starter Hinge Pins, Flexible Couplings and Clamp Bolts
		20 & 20·1	Standard Spares, Accessories and Spanners

NEAR SIDE VIEW OF LW ENGINE—Plate 1

N°1 Cyl. N°2 Cyl. N°3 Cyl. N°4 Cyl. N°5 Cyl. N°6 Cyl.



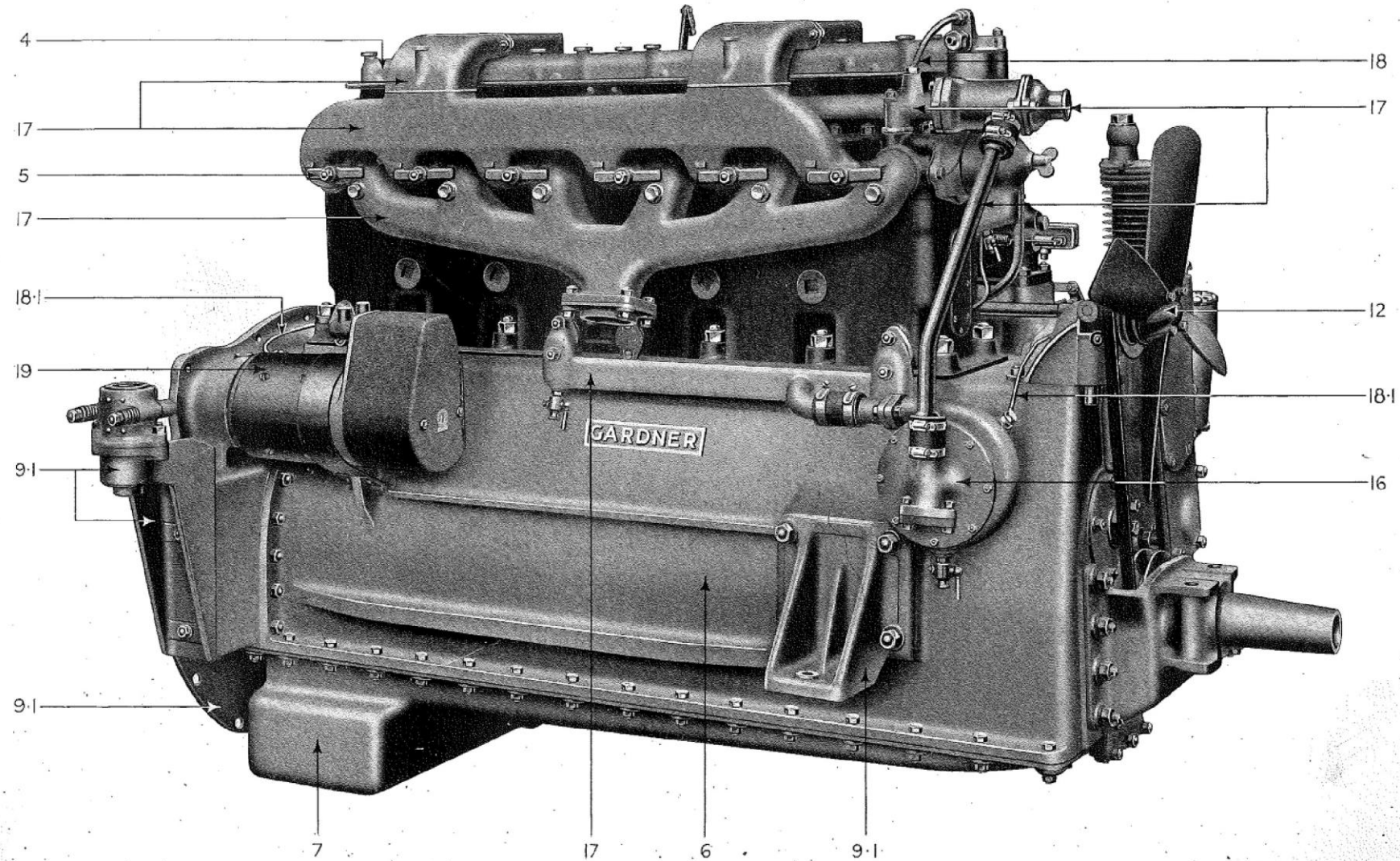
NOTE.—The numbers refer to Plates and not to Sections.

IMPORTANT.—This is a composite illustration embracing all states of design of the LW Engine, and in no sense must it be regarded as standard.

GARDNER

OFF SIDE VIEW OF LW ENGINE—Plate 2

Nº6 Cyl. Nº5 Cyl. Nº4 Cyl. Nº3 Cyl. Nº2 Cyl. Nº1 Cyl.



NOTE.—The numbers refer to Plates and not to Sections.

IMPORTANT.—This is a composite illustration embracing all states of design of the LW Engine, and in no sense must it be regarded as standard.